



**Plastic Pipes & Fittings Factory
Yousif Khalid Al-Adasani Ent.**



**POLYPROPYLENE
PIPING SYSTEM (PP-RCT)**

BUREAU VERITAS
Certification



Certification

Awarded to

**PLASTIC PIPES AND FITTINGS FACTORY
YOUSIF KHALID AL-ADSANI ENT.**

Sabhan Street 101, Block 8,
P.O. Box: 1653, Safat 13017

STATE OF KUWAIT

*Bureau Veritas Certification certify that the Management System of the
above organisation has been audited and found to be in accordance
with the requirements of the management system standards detailed below*

Standard

ISO 9001:2008

Scope of certification

MANUFACTURE, STORAGE AND SALES OF U-PVC PIPES & FITTINGS FOR (PRESSURE SYSTEMS, POTABLE WATER, SEWAGE, DRAINAGE, ELECTRICAL CONDUITS AND CABLE DUCTS); C-PVC, POLYPROPYLENE (PP) AND POLYBUTYLENE (PB) PIPES AND FITTINGS FOR (HOT AND COLD WATER SERVICES); HIGH DENSITY POLYETHYLENE (HDPE - PE-100) PIPES & FITTINGS FOR PRESSURE SYSTEMS, POTABLE WATER, IRRIGATION, GAS, DRAINAGE, SEWAGE AND CABLE PROTECTION; LDPE AND LLDPE PIPES FOR IRRIGATION; HIGH DENSITY POLYETHYLENE, HDPE, CORRUGATED PIPES FOR SEWAGE, DRAINAGE AND CABLE DUCT.

Certification cycle start date: **23rd December 2012**

Subject to the continued satisfactory operation of the organisation's Management System, this certificate expires on: **23rd December 2015**

Original certification date: 21st November 1996

Certificate No. **IND12.1194U/Q**

Issue N. Revision Date: **No.1, dated 18/12/12**

Abhay SARIYA
Certification Manager

BUREAU VERITAS
CERTIFICATION (UK) Ltd, S.A.
using the accreditation certificate
number 008



Certification body address: *Brandon House, 190 Borough High Street, London SE1 1LH, United Kingdom*
Local office: *Bureau Veritas, Sultan Ben Essa Bldg., Plot No. 44, P. O. Box 1476, Dajeej, Farwaniya 81025, Kuwait*

Further clarifications regarding the scope of this certificate and the applicability of the management system requirements may be obtained by consulting the organisation.
To check this certificate validity please call: **(+965 2431 50 78)**



PP-RCT Pressure Piping System

Material :

PP-RCT is Polypropylene random copolymer with modified Crystallinity structure and elevated temperature resistance.

Manufacturing standards :

DIN 8077, DIN 8078, DIN EN ISO/ BS EN ISO 15874

Major advantages of Al-Adasani PP-RCT Piping system

- High chemical resistance
- Internal/ External corrosion resistance
- Non-toxic and resistant to microbiological attack
- Low friction loss
- Light weight end easy installation
- Has got good insulating properties (Low thermal conductivity)

Application field

- Drinking water systems
- Service Hot & Cold water systems
- Industrial projects
- Agricultural projects
- Central heating system
- House Connections

General properties of PP-RCT material

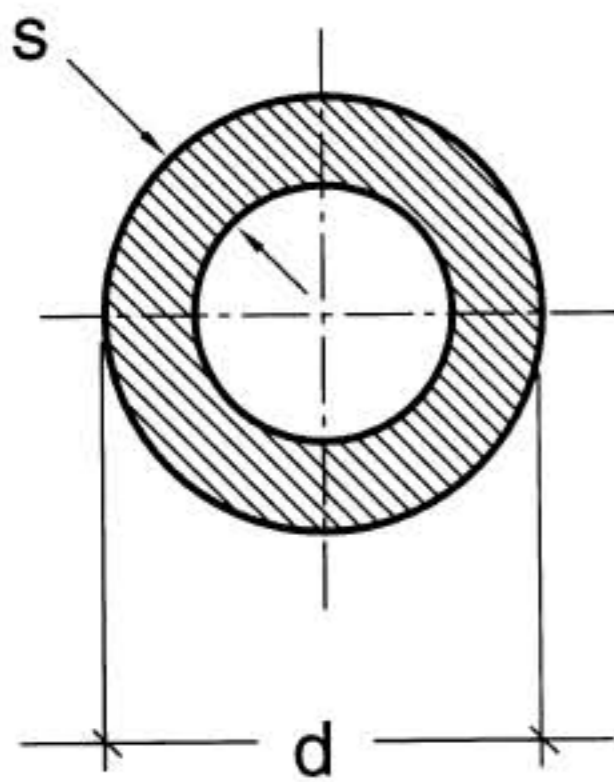
Properties	PP-RCT	Unit
Density	0.905	g/cm ³
Mean Coefficient of Linear Thermal Expansion	1.5×10^{-4}	K ⁻¹
Vicat Softening Temperature	127	C ^o
Thermal Conductivity	0.24	W/ K. M
Modulus of Elasticity	900	N/mm ²
Tenstile Strength	25	MPa
Heat Reversion	< 2%	-
Impact Resistance	Complies with DIN 8078	-
Surface Resistance	>10 ¹²	Ω

PP-RCT Pressure Pipes:

DIN 8077 / 8078, DIN EN ISO/ BS EN ISO 15874

d (Outside Diameter in mm)	PP-RCT Pipe Series, S	
	3.2	2.5
	Diameter - Wall thickness relationship (SDR)	
	7.4	6
	PN 20	PN 25
	S (wall thickness in mm)	S (wall thickness in mm)
	20	2.8
25	3.5	4.2
32	4.4	5.4
40	5.5	6.7
50	6.9	8.3
63	8.6	10.5
75	10.3	12.5
90	12.3	15
110	15.1	18.3
160	21.9	26.6

PN : Nominal Pressure in bar



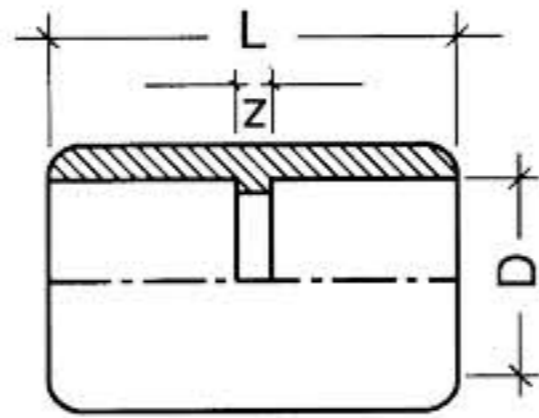
d : outside diameter
s : wall thickness
measurements in mm



PP-RCT Pipes Fittings

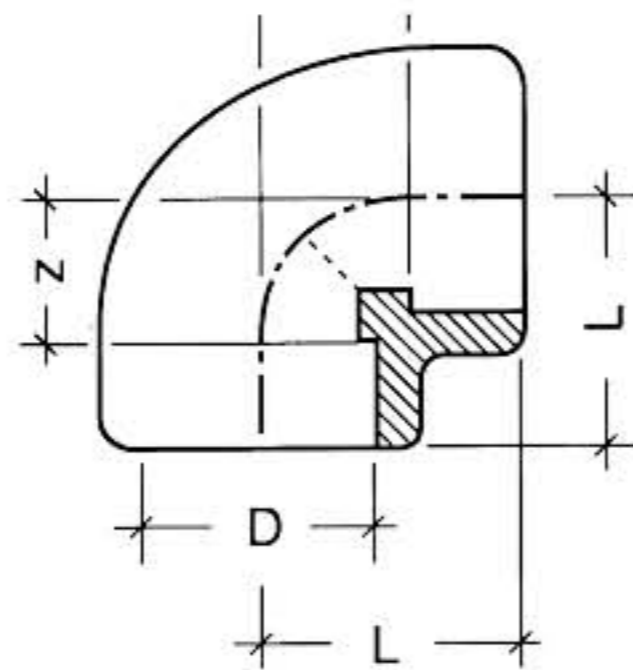
PN : 25 bars

DIN EN ISO/ BS EN ISO 15874



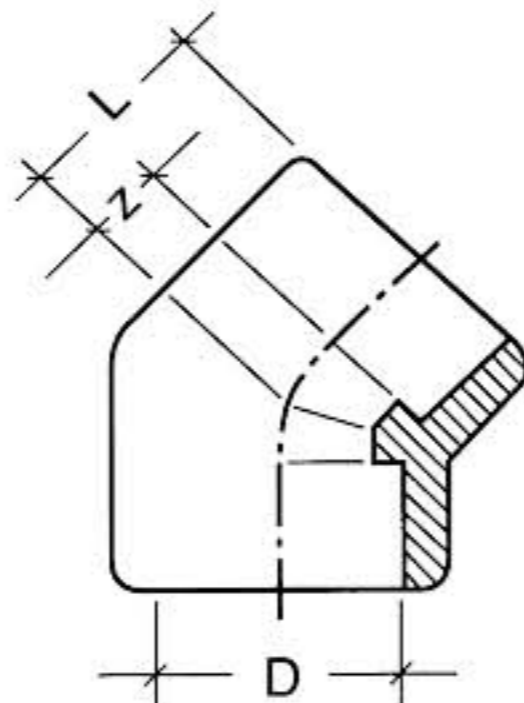
**WELDING SOCKET
(COCT)**

D mm	L mm	Z mm
20	32	3
25	35	3
32	43	3
40	43	3
50	52	4
63	61	6
75	73	6
90	73	6
110	84	8



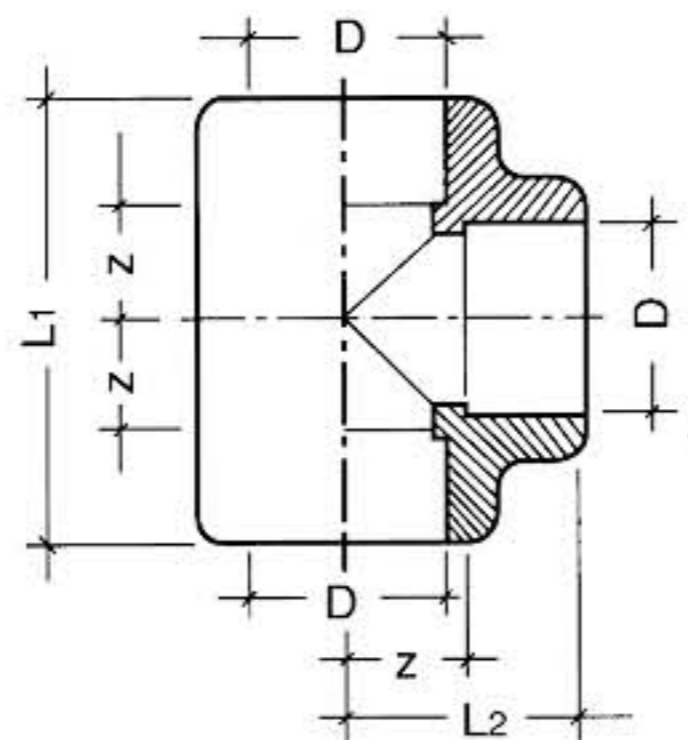
**WELDING ELBOW
(BECG 90°)**

D mm	L mm	Z mm
20	29	14
25	33	17
32	40	21
40	47	26
50	51	28
63	60	32
75	59	28
90	79	46
110	94	58



**WELDING ELBOW
(BECH 45°)**

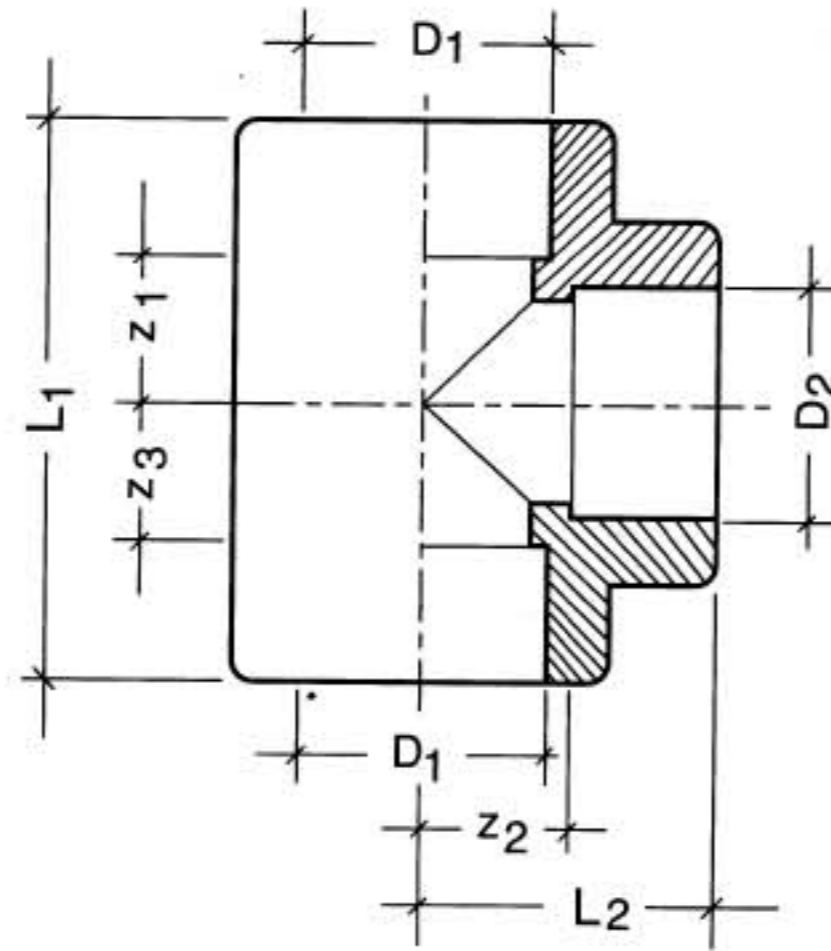
D mm	L mm	Z mm
20	22	4
25	26	7
32	30	9
40	34	12
50	34	12
63	42	14
75	46	16
90	65	35
110	74	42



**WELDING TEE
(TECT)**

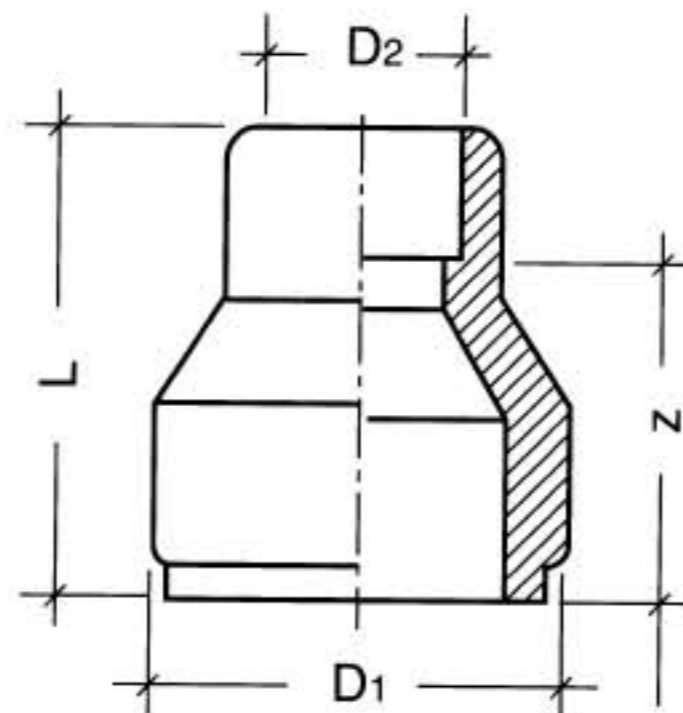
D mm	L ₁ mm	L ₂ mm	Z mm
20	54	27	12
25	63	31	13
32	75	38	16
40	86	44	21
50	105	52	26
63	122	62	33
75	139	70	39
90	159	82	49
110	179	94	59

**REDUCED WELDING TEE
(TRCT)**



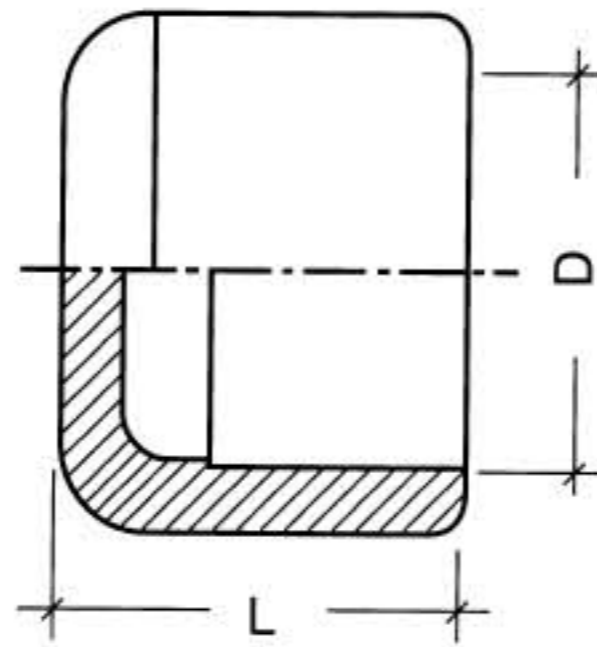
D_1 mm	D_2 mm	L_1 mm	L_2 mm	Z_1 mm	Z_2 mm	Z_3 mm
25	20	62	31	13	13	13
32	20	75	38	17	22	17
32	25	75	38	17	20	17
40	20	86.5	40.0	21.4	21.0	21.4
40	25	86.5	38.25	21.4	21.25	21.4
40	32	86	44	21	25	21
50	20	104	42.8	25.5	26.8	25.3
50	25	105	52	33	35	33
50	32	105	52	33	33	33
63	25	126	49.5	34	31.5	34
63	32	126	55.5	34	36.4	34
63	40	126	54.5	34	31.5	34
63	50	126	57.5	34	32.5	34
75	25	144	58	39.5	38.5	39.5
75	32	144	60	39.5	38	39.5
75	40	145	59.5	40.0	35.0	40.0
75	50	144	62	39.5	35.0	39.5
75	63	144	65	39.5	34.5	39.5

**REDUCED WELDING SOCKET
(RECT)**



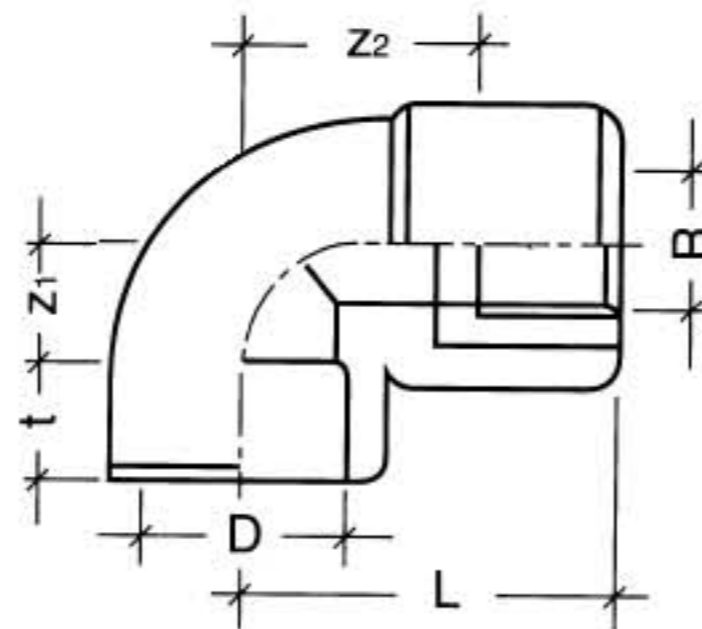
D_1 mm	D_2 mm	L mm	Z mm
25	20	39	23
32	20	42	26
32	25	43	26
40	20	50	30
40	25	50	30
40	32	50	30
50	20	55	35
50	25	55	35
50	32	55	37
50	40	54	34
63	25	65	48
63	32	65	45
63	40	65	44
63	50	72	45
75	32	65	45
75	40	67	45
75	50	68	43
75	63	72	44
90	40	65	41
90	50	76	51
90	63	79	51
90	75	82	52
110	63	88	60
110	75	92	60
110	90	95	63

**WELDING END CAP
(EPCT)**



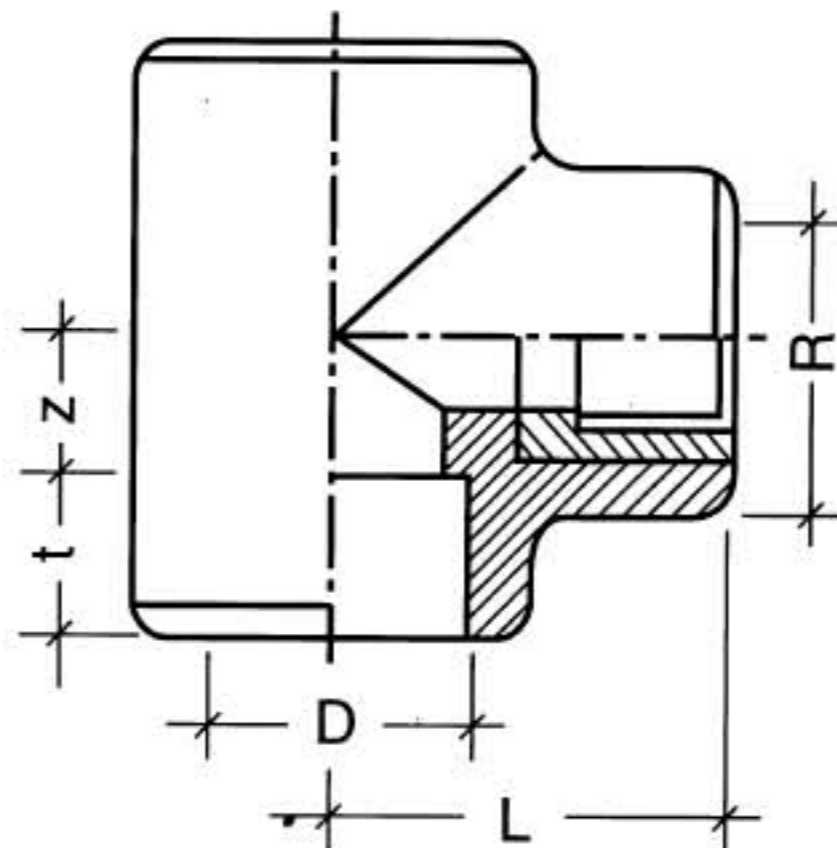
D mm	L mm
20	25
25	28
32	33
40	38
50	46
63	55
75	58
90	68

**WELDING ELBOW ADAPTOR,
(FEMALE THREAD (ABCT))**



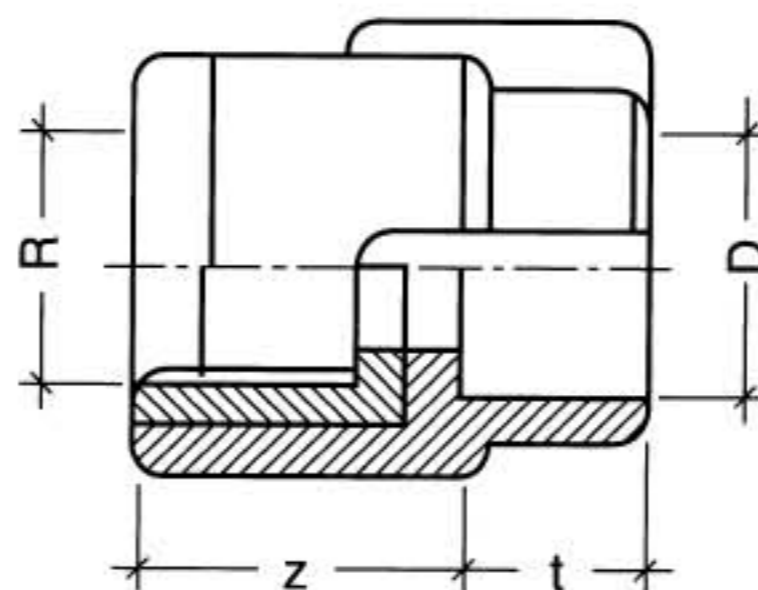
D mm	R Inch	t mm	Z ₁ mm	Z ₂ mm	L mm
20	1/2"	18	11	20	35
20	3/4"	18	17	24	39
25	1/2"	20	15	24	39
25	3/4"	20	15	24	39
32	3/4"	18	12	32	66
32	1"	18	12	32	66

**WELDING TEE ADAPTOR
FEMALE THREAD (ATCT)**



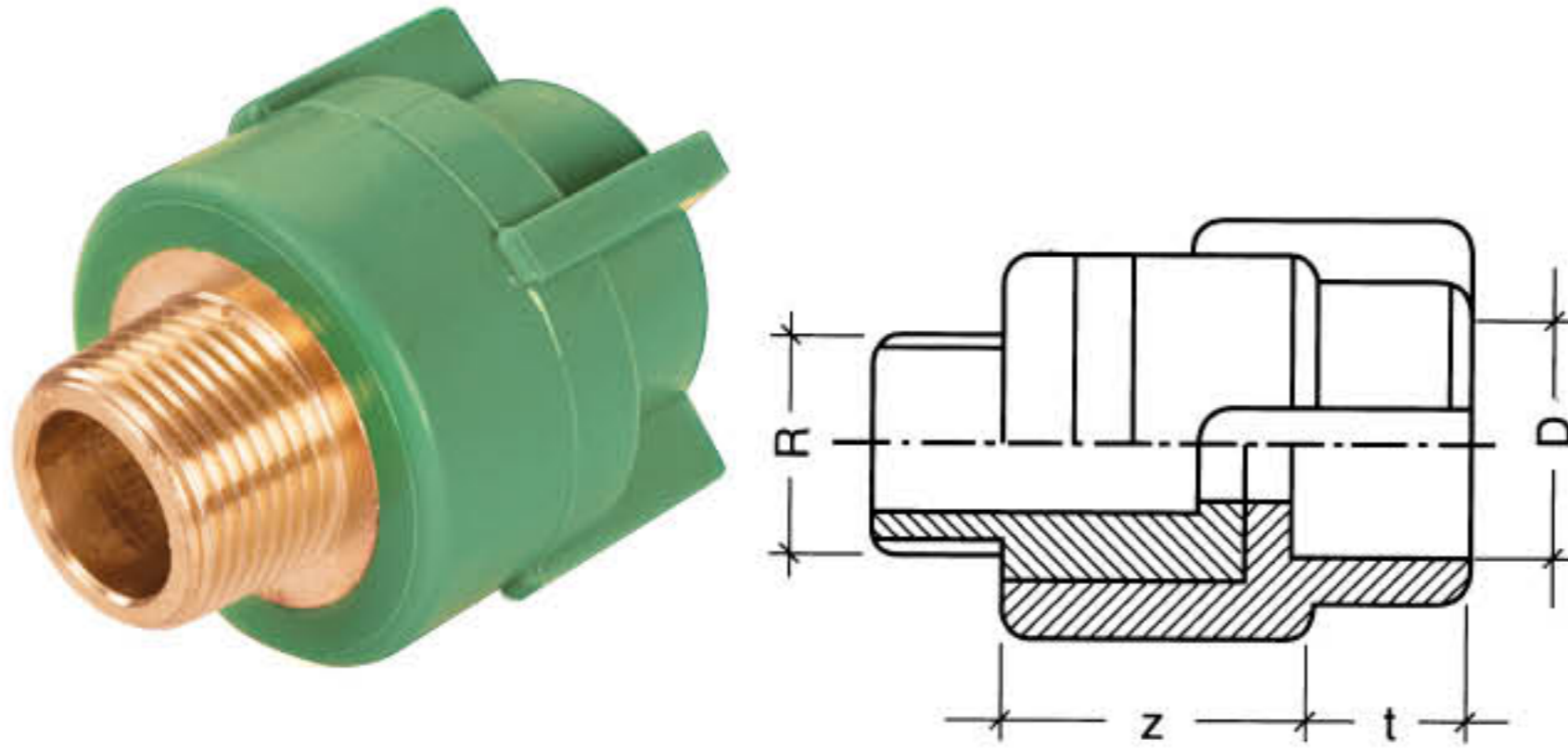
D mm	R Inch	t mm	Z mm	L mm
20	1/2"	16	11	36
20	3/4"	18	14	40
25	1/2"	16	15	44
25	3/4"	18	14	40
32	3/4"	18	12	65
32	1"	18	12	65

**FEMALE ADAPTOR
(FACT)**



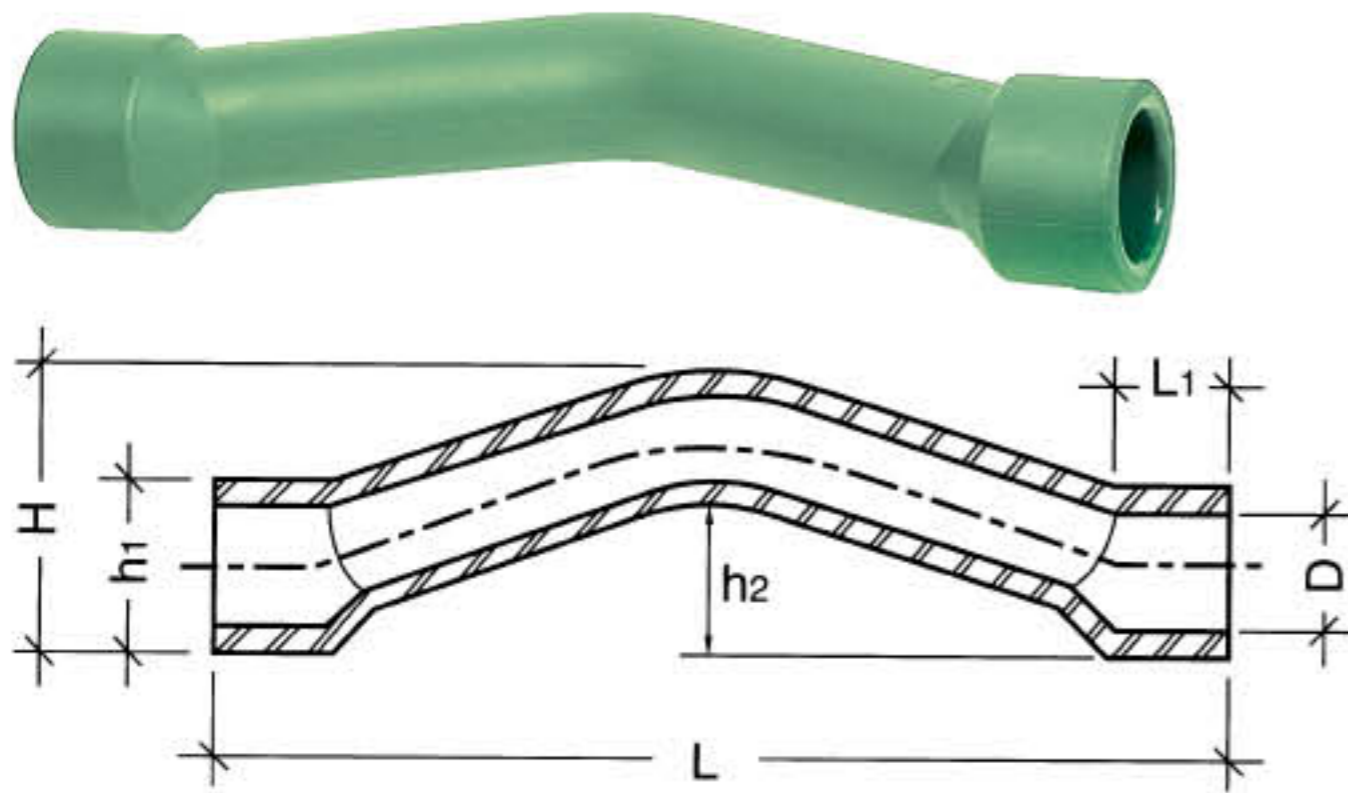
D mm	R Inch	t mm	Z mm
20	1/2"	16	25
20	3/4"	18	25
25	1/2"	16	26
25	3/4"	18	25
32	3/4"	20	40
32	1"	20	40
40	1 1/4"	20	46
50	1 1/2"	24	46
63	2"	28	48

**MALE ADAPTOR
(MACT)**



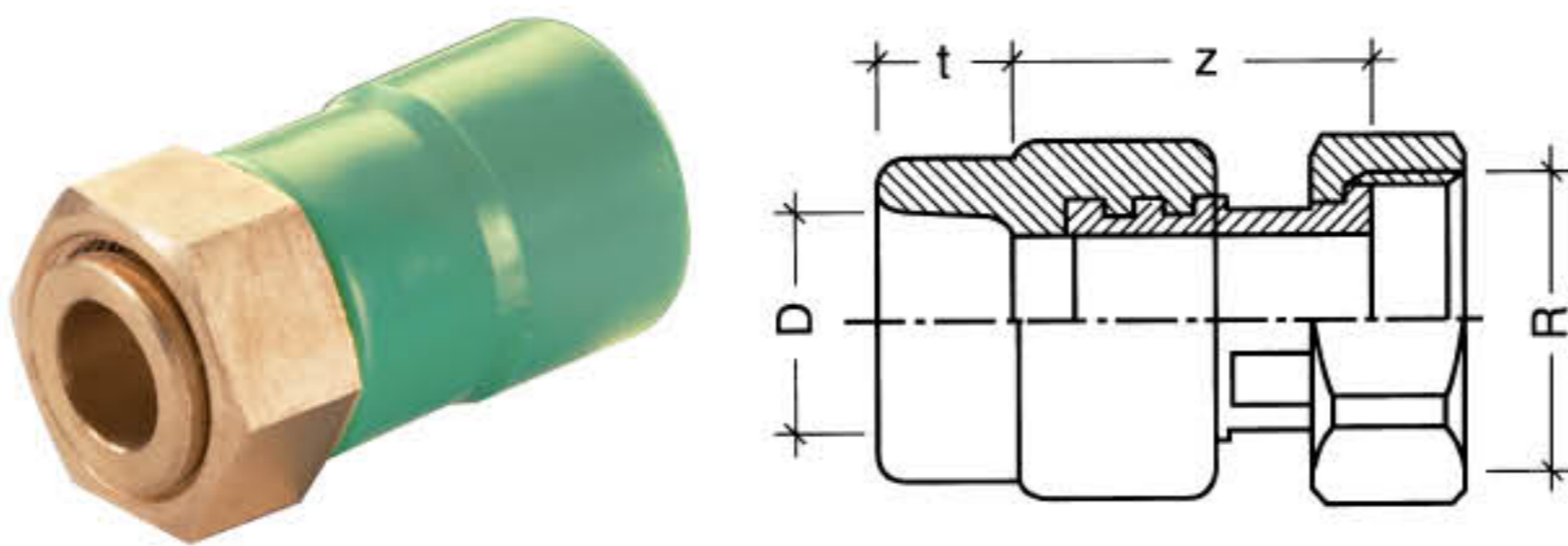
D mm	R Inch	t mm	Z mm
20	1/2"	16	25
20	3/4"	18	25
25	1/2"	16	26
25	3/4"	18	25
32	3/4"	20	37
32	1"	20	37
40	1 1/4"	20	45
50	1 1/2"	24	42
63	2"	28	52
75	2 1/2"	29	50

**STEP-OVER BEND
(SOCT)**



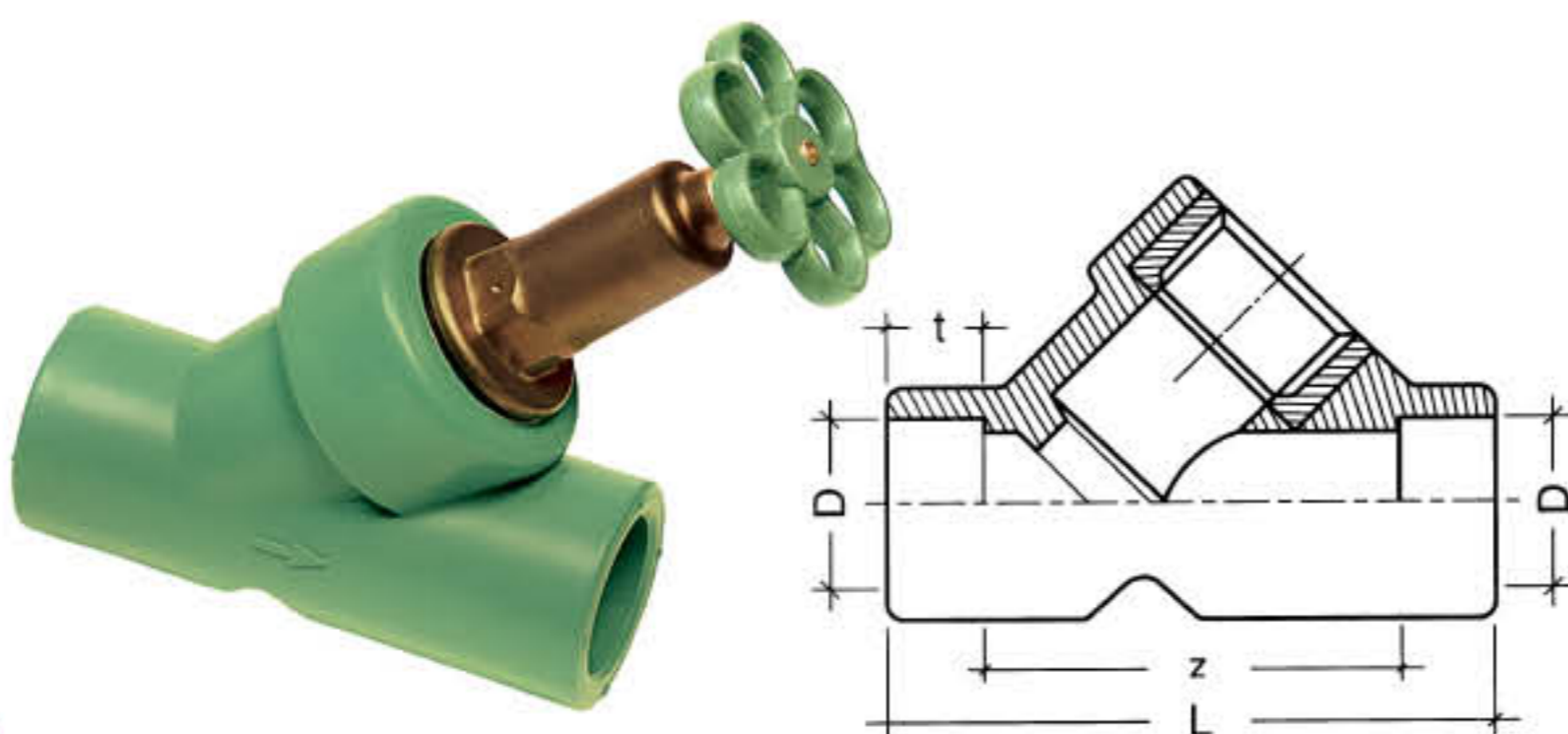
D mm	H mm	h ₁ mm	h ₂ mm	L ₁ mm	L mm
20	46	28.2	24	15.5	160
25	58.0	35	32	22	201
32	66	43	34.5	22.5	172
40	82	53	43	21.5	240

**WELDING UNION PP-RCT TO BRASS
(UBCT)**



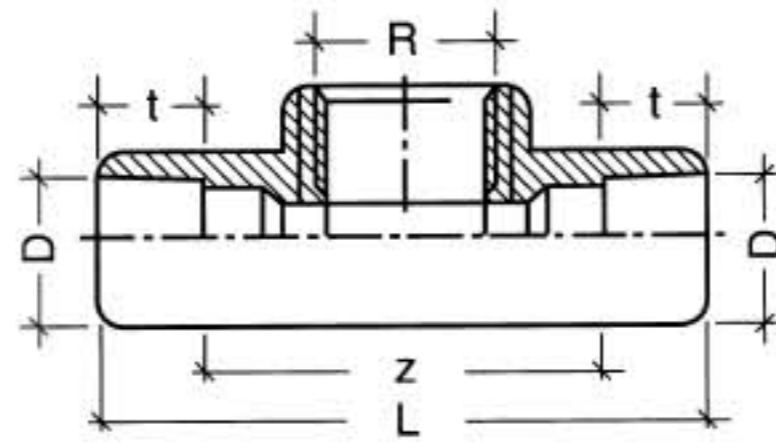
D mm	R Inch	t mm	Z mm
20	3/4"	16	44
25	3/4"	16	44
32	1"	19	45
40	1 1/4"	21	48
50	1 1/2"	24	54
63	2"	30	60

**SLANTED SEAT VALVE
(GVCT)**



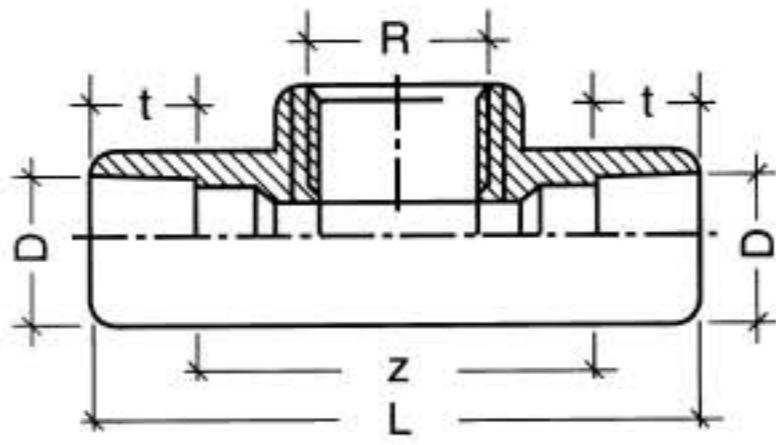
D mm	t mm	Z mm	L mm
25	16	86	118
32	18	82	118

**GATE VALVE
(TGCT)**



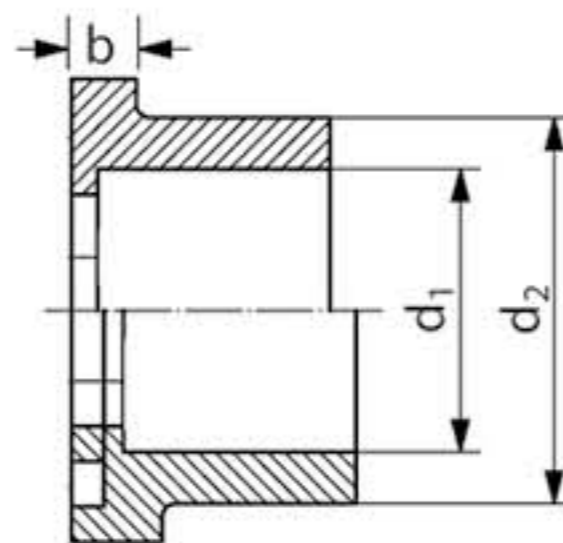
D mm	R Inch	t mm	Z mm	L mm
20	3/4"	15	66	96
25	3/4"	16	64	96
32	1"	18	80	116
40	1"	21	73	115

**CONCEALED / SHUT OFF VALVE
(CVCT)**



D mm	R Inch	t mm	Z mm	L mm
20	3/4"	15	66	96
25	3/4"	16	64	96
32	1"	18	80	116
40	1"	21	73	115

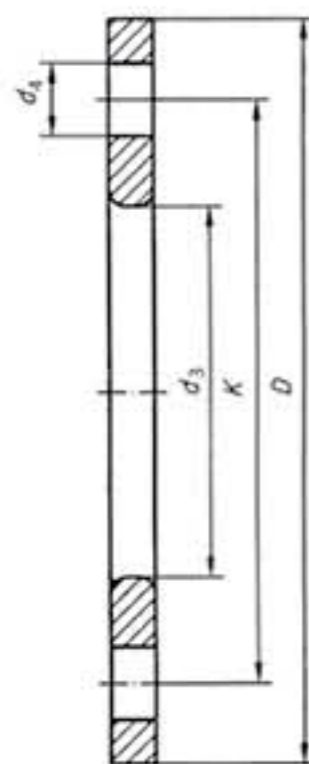
Flange Adapter, QRCT



Pipe out side diameter, mm	d ₁	d ₂	b
50	48.8	61	13
63	61.9	76.3	15
75	73.6	90	17.1
90	88.8	109.2	17.1
110	108.5	130	18

Dimensions in mm

Backing Ring, ODBC



Pipe out side diameter, mm	Nominal flange size	d ₃	D	K	d ₄	Number of bolts
50	40	63	152	110	18	4
63	50	78	168	125	18	4
75	65	92	187	145	18	4
90	80	110	202.5	160	18	8
110	100	133	220	180	18	8

Dimensions in mm

Note: The Backing Ring is made from C-PVC, black

WARH



Welding plug for repair of holes up to ø8mm

WAPL



assembly plug for gauge "1/2"



**Plastic Pipes & Fittings Factory
Yousif Khalid Al-Adasani Ent.**

P.O. Box 1653, 13017 SAFAT, KUWAIT /
Sabhan Industrial Area Cable: YOUKADSAN
Telephone: 24743800 - 24743801 - 24730225 - 24730226 - 24714870
Fax: 24718258 - 24764115
Website: www.aladasani.com - Email: info@aladasani.com

